

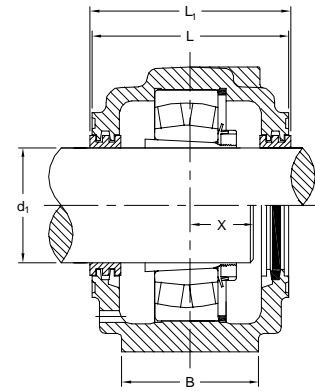
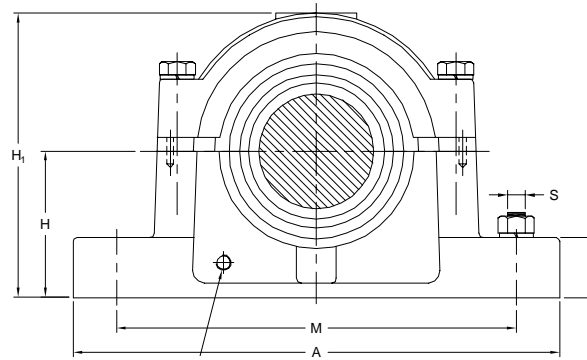
Pillow Block Housings



SAF 500 Series

These Pillow Block Housings accept self-aligning ball or spherical roller bearings with adapter sleeves. They are available in cast iron (SAF), Ductile (SAFD) or cast steel (SAFS). SAF = 2-bolt base, FSAF = 4-bolt base, SAF 522 through SAF 544 only with 4-bolt base. SAF housings are

supplied standard with triple labyrinth LER seals. PER, LER-DC and TER Taconite seals are also available as an option. End covers and taconite seals also available. For fixed bearings use the fixing ring included. For expansion units, remove fixing ring(s).



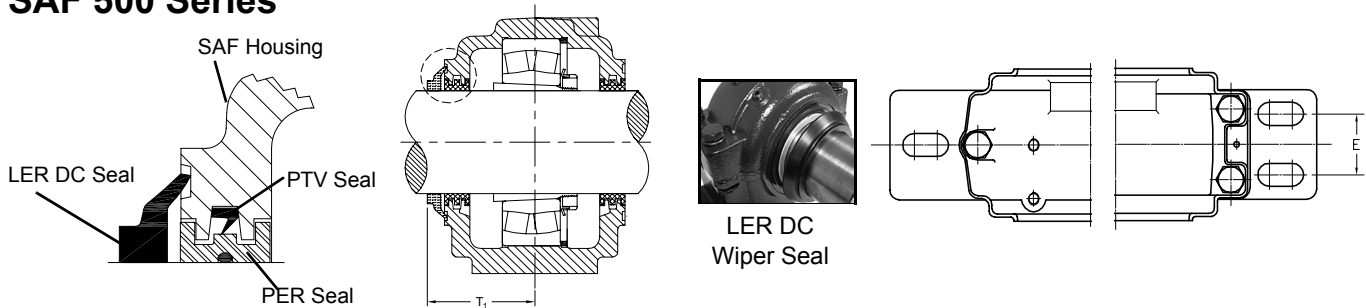
Dimensions in inches

Cast Iron Part No.	Ductile Part No.	Steel Part No.	Shaft Size d_1	H	H ₁	L	L ₁	A	B	C	M max	M min	E	T ₁	S Bolt	X	Wt. lb
SAF 505	—	—	3/4	1.500	2.94	2.75	2.88	6.50	1.75	0.69	5.50	4.63	—	—	(2) 1/2	0.81	4.0
SAF 506	—	—	15/16	1.750	3.38	3.06	3.25	7.50	2.00	0.69	6.13	5.25	—	—	(2) 1/2	0.94	6.0
SAF 507	—	—	1-3/16	2.000	3.81	3.19	3.25	7.50	2.00	0.81	6.13	5.63	—	1.59	(2) 1/2	1.00	8.0
SAF 509	SAFD 509	SAFS 509	1-7/16	2.250	4.38	3.44	3.63	8.25	2.38	0.81	7.00	6.25	—	3.03	(2) 1/2	1.00	9.3
SAF 510	SAFD 510	SAFS 510	1-11/16	2.500	4.75	3.44	3.88	8.25	2.38	0.94	7.00	6.50	—	3.25	(2) 1/2	1.06	10.1
SAF 511	SAFD 511	SAFS 511	1-15/16	2.750	5.25	3.75	4.50	9.63	2.75	0.94	7.88	7.38	—	3.38	(2) 5/8	1.09	12.5
SAF 513	SAFD 513	SAFS 513	2-3/16	3.000	5.94	4.25	4.50	11.00	3.13	1.00	9.50	8.13	—	3.63	(2) 5/8	1.28	19.0
FSAF 513	FSAFD 513	FSAFS 513	2-3/16	3.000	5.94	4.25	4.50	11.00	3.13	1.00	9.50	8.13	1.88	3.63	(4) 1/2	1.28	18.3
SAF 515	SAFD 515	SAFS 515	2-7/16	3.250	6.38	4.63	4.75	11.25	3.13	1.13	9.63	8.63	—	3.81	(2) 5/8	1.38	18.3
FSAF 515	FSAFD 515	FSAFS 515	2-7/16	3.250	6.38	4.63	4.75	11.25	3.13	1.13	9.63	8.63	1.88	3.81	(4) 1/2	1.38	17.9
SAF 516	SAFD 516	SAFS 516	2-11/16	3.500	6.88	4.75	4.88	13.00	3.50	1.19	11.00	9.63	—	4.13	(2) 3/4	1.44	27.3
FSAF 516	FSAFD 516	FSAFS 516	2-11/16	3.500	6.88	4.75	4.88	13.00	3.50	1.19	11.00	9.63	2.13	4.13	(4) 5/8	1.44	26.9
SAF 517	SAFD 517	SAFS 517	2-15/16	3.750	7.31	4.81	5.00	13.00	3.50	1.25	11.00	9.88	—	3.91	(2) 3/4	1.53	31.8
FSAF 517	FSAFD 517	FSAFS 517	2-15/16	3.750	7.31	4.81	5.00	13.00	3.50	1.25	11.00	9.88	2.13	3.91	(4) 5/8	1.53	29.8
SAF 518	SAFD 518	SAFS 518	3-3/16	4.000	7.75	5.50	5.75	13.75	3.88	1.31	11.63	10.38	—	4.06	(2) 3/4	1.69	36.6
FSAF 518	FSAFD 518	FSAFS 518	3-3/16	4.000	7.75	5.50	5.75	13.75	3.88	1.31	11.63	10.38	2.13	4.06	(4) 5/8	1.69	37.5
SAF 520	SAFD 520	SAFS 520	3-7/16	4.500	8.75	5.81	6.00	15.25	4.38	1.75	13.13	11.63	—	4.38	(2) 7/8	2.00	52.5
FSAF 520	FSAFD 520	FSAFS 520	3-7/16	4.500	8.75	5.81	6.00	15.25	4.38	1.75	13.13	11.63	2.38	4.38	(4) 3/4	2.00	50.3
SAF 522	SAFD 522	SAFS 522	3-15/16	4.938	9.63	6.44	6.50	16.50	4.75	2.00	14.50	12.63	2.75	4.56	(4) 3/4	2.06	69.2
SAF 524	SAFD 524	SAFS 524	4-3/16	5.250	10.25	7.13	7.38	16.50	4.75	2.13	14.50	13.25	2.75	5.00	(4) 3/4	2.22	71.2
SAF 526	SAFD 526	SAFS 526	4-7/16	6.000	11.50	7.75	8.00	18.38	5.13	2.38	16.00	14.63	3.25	5.31	(4) 7/8	2.38	94.8
SAF 528	SAFD 528	SAFS 528	4-15/16	6.000	11.75	7.38	7.63	20.13	5.88	2.38	17.13	16.00	3.38	5.13	(4) 1	2.50	110.0
SAF 530	SAFD 530	SAFS 530	5-3/16	6.313	12.50	8.13	8.38	21.25	6.25	2.50	18.25	17.00	3.75	5.50	(4) 1	2.72	138.0
SAF 532	SAFD 532	SAFS 532	5-7/16	6.688	13.31	8.50	8.75	22.00	6.25	2.63	19.25	17.38	3.75	5.69	(4) 1	2.94	158.0
SAF 534	SAFD 534	SAFS 534	5-15/16	7.063	14.19	9.25	9.63	24.75	6.75	2.75	21.63	19.38	4.25	5.06	(4) 1	3.09	185.0
SAF 536	SAFD 536	SAFS 536	6-7/16	7.500	14.88	9.63	10.00	26.75	7.13	3.00	23.63	20.88	4.63	5.25	(4) 1	3.13	217.0
SAF 538	SAFD 538	SAFS 538	6-15/16	7.875	15.69	10.50	10.75	28.00	7.50	3.13	24.38	21.63	4.50	5.69	(4) 1-1/4	3.28	285.0
SAF 540	SAFD 540	SAFS 540	7-3/16	8.250	16.50	11.00	11.25	29.50	8.00	3.38	25.00	22.50	5.00	7.06	(4) 1-1/4	3.44	331.0
SAF 544	SAFD 544	SAFS 544	7-15/16	9.500	18.63	11.75	12.00	32.75	8.75	3.75	27.88	24.75	5.25	7.25	(4) 1-1/2	3.81	391.0

Pillow Block Housing Accessories



SAF 500 Series



Shaft Size * in	Housing Part No.	Bearing Part No.	Adapter		Seals					Fixing Rings		End Cover Part No.
			SNW Type Part No.	H Type Part No.	LER Part No.	LER DC Part No.	PER Part No.	PER-PTV V-Ring	TER Part No.	Part No.	Qty.	
3/4	SAF 505	1205K	SNW05 x 3/4	H205 x 3/4	LER6	—	—	—	—	FR52 x 5	2	—
		2205K	SNW05 x 3/4	H305 x 3/4						FR52 x 7	1	
15/16	SAF 506	1206K	SNW06 x 15/16	H306 x 15/16	LER10	—	—	—	—	FR62 x 7	2	—
		2206K	SNW06 x 15/16	H306 x 15/16						FR62 x 10	1	
1-3/16	SAF 507	1207K	SNW07 x 1-3/16	H207 x 1-3/16	LER14	—	—	—	—	FR72 x 8	2	—
		2207K	SNW07 x 1-3/16	H307 x 1-3/16						FR72 x 10	1	
1-7/16	SAF 509	1209K	SNW09 x 1-7/16	H209 x 1-7/16	LER17	—	PER17	PER17-PTV	TER17	FR85 x 10	1	EPR03
		2209K	SNW09 x 1-7/16	H309 x 1-7/16						FR85 x 6	1	
		22209K	SNW09 x 1-7/16	H309 x 1-7/16						FR85 x 6	1	
1-11/16	SAF 510	1210K	SNW10 x 1-11/16	H210 x 1-11/16	LER20	—	PER20	PER20-PTV	TER20	FR90 x 10	1	EPR04
		2210K	SNW10 x 1-11/16	H310 x 1-11/16						FR90 x 7	1	
		22210K	SNW10 x 1-11/16	H310 x 1-11/16						FR90 x 7	1	
1-15/16	SAF 511	1211K	SNW11 x 1-15/16	H211 x 1-15/16	LER24	—	PER24	PER24-PTV	TER24	FR100 x 10	2	EPR05
		2211K	SNW11 x 1-15/16	H311 x 1-15/16						FR100 x 6	1	
		22211K	SNW11 x 1-15/16	H311 x 1-15/16						FR100 x 6	1	
2-3/16	SAF 513 FSAF 513	1213K	SNW13 x 2-3/16	H213 x 2-3/16	LER29	—	PER29	PER29-PTV	TER29	FR120 x 8	2	EPR06
		2213K	SNW13 x 2-3/16	H313 x 2-3/16						FR120 x 8	1	
		22213K	SNW13 x 2-3/16	H313 x 2-3/16						FR120 x 8	1	
2-7/16	SAF 515 FSAF 515	1215K	SNW15 x 2-7/16	H215 x 2-7/16	LER37	LER37 DC	PER37	PER37-PTV	TER37	FR130 x 6	2	EPR07
		2215K	SNW15 x 2-7/16	H315 x 2-7/16						FR130 x 10	1	
		22215K	SNW15 x 2-7/16	H315 x 2-7/16						FR130 x 10	1	
2-11/16	SAF 516 FSAF 516	1216K	SNW16 x 2-11/16	H216 x 2-11/16	LER44	LER44 DC	PER44	PER44-PTV	TER44	FR140 x 8.5	2	EPR08
		2216K	SNW16 x 2-11/16	H316 x 2-11/16						FR140 x 10	1	
		22216K	SNW16 x 2-11/16	H316 x 2-11/16						FR140 x 10	1	
2-15/16	SAF 517 FSAF 517	1217K	SNW17 x 2-15/16	H217 x 2-15/16	LER53	LER53 DC	PER53	PER53-PTV	TER53	FR150 x 9	2	EPR09
		2217K	SNW17 x 2-15/16	H317 x 2-15/16						FR150 x 10	1	
		22217K	SNW17 x 2-15/16	H317 x 2-15/16						FR150 x 10	1	
3-3/16	SAF 518 FSAF 518	1218K	SNW18 x 3-3/16	H218 x 3-3/16	LER188	LER188 DC	PER188	PER188-PTV	TER188	FR160 x 10	2	EPR11
		2218K	SNW18 x 3-3/16	H318 x 3-3/16						FR160 x 10	1	
		22218K	SNW18 x 3-3/16	H318 x 3-3/16						FR160 x 10	1	
3-7/16	SAF 520 FSAF 520	1220K	SNW20 x 3-7/16	H220 x 3-7/16	LER102	LER102 DC	PER102	PER102-PTV	TER102	FR180 x 11	2	EPR12
		2220K	SNW20 x 3-7/16	H320 x 3-7/16						FR180 x 10	1	
		22220K	SNW20 x 3-7/16	H320 x 3-7/16						FR180 x 10	1	
3-15/16	SAF 522	1222K	SNW22 x 3-15/16	H222 x 3-15/16	LER109	LER109 DC	PER109	PER109-PTV	TER109	FR200 x 12.5	2	EPR13
		2222K	SNW22 x 3-15/16	H322 x 3-15/16						FR200 x 10	1	
		22222K	SNW22 x 3-15/16	H322 x 3-15/16						FR200 x 10	1	
4-3/16	SAF 524	22224K	SNW24 x 4-3/16	H3124 x 4-3/16	LER113	LER113 DC	PER113	PER113-PTV	TER113	FR215 x 10	1	EPR14
4-7/16	SAF 526	22226K	SNW26 x 4-7/16	H3126 x 4-7/16	LER117	LER117 DC	PER117	PER117-PTV	TER117	FR230 x 10	1	EPR15
4-15/16	SAF 528	22228K	SNW28 x 4-15/16	H3128 x 4-15/16	LER122	LER122 DC	PER122	PER122-PTV	TER122	FR250 x 10	1	EPR27
5-3/16	SAF 530	22230K	SNW30 x 5-3/16	H3130 x 5-3/16	LER125	LER125 DC	PER125	PER125-PTV	TER125	FR270 x 10	1	EPR16
5-7/16	SAF 532	22232K	SNW32 x 5-7/16	H3132 x 5-7/16	LER130	LER130 DC	PER130	PER130-PTV	TER130	FR290 x 10	1	EPR16
5-15/16	SAF 534	22234K	SNW34 x 5-15/16	H3134 x 5-15/16	LER140	LER140 DC	PER140	PER140-PTV	TER140	FR310 x 10	1	EPR18
6-7/16	SAF 536	22236K	SNW36 x 6-7/16	H3136 x 6-7/16	LER148	LER148 DC	PER148	PER148-PTV	TER148	FR320 x 10	1	EPR19
6-15/16	SAF 538	22238K	SNW38 x 6-15/16	H3138 x 6-15/16	LER155	LER155 DC	PER155	PER155-PTV	TER155	FR340 x 10	1	EPR20
7-3/16	SAF 540	22240K	SNW40 x 7-3/16	H3140 x 7-3/16	LER159	LER159 DC	PER159	PER159-PTV	TER159	FR360 x 10	1	EPR21
7-15/16	SAF 544	22244K	SNW44 x 7-15/16	H3144 x 7-15/16	LER167	LER167 DC	PER167	PER167-PTV	TER167	FR400 x 10	1	EPR23

Note: Bearing part Number in bold face is a double row taper bore spherical and most popular. Typical suffix to the bearing part number is C3W33 where C3 is the internal clearance and W33 indicates a lube groove on the bearing O.D. For example specify 22220K C3W33. * For other shaft sizes possible see following pages.

Pillow Block Housings



Optional Shaft Sizes for SAF 500 & 600 Series

SAF Series Pillow Blocks can accept different shaft sizes by changing Seals and Adapters.

Shown below are the other, less popular, but stock parts that accommodate other standard shaft sizes.

Part numbers listed below are Cast Iron. Ductile and Steel housings are stock for the SAF 500 Series and are available on request for the SAF 600 Series.



SAF 500 Series

Shaft Size	Housing Part No. *	Bearing Part No.	Adapter		Seal Part No.
			SNW Type Part No.	H Type Part No.	
11/16 3/4	SAF 505	2205K	SNW05 x 11/16	H305 x 11/16	LER 7
		2205K	SNW05 x 3/4	H305 x 3/4	LER 6
15/16 1	SAF 506	2206K	SNW06 x 15/16	H306 x 15/16	LER 10
		2206K	SNW06 x 1	H306 x 1	LER 11
1-3/16	SAF 507	22207K	SNW07 x 1-3/16	H307 x 1-3/16	LER 14
1-1/2	SAF 509	22209K	SNW09 x 1-1/2	H309 x 1-1/2	LER 18
1-3/4	SAF 510	22210K	SNW10 x 1-3/4	H310 x 1-3/4	LER 21
2	SAF 511	22211K	SNW11 x 2	H311 x 2	LER 25
2-1/4	SAF 513 FSAF 513	22213K	SNW13 x 2-1/4	H313 x 2-1/4	LER 30
		22215K	SNW15 x 2-1/2	H315 x 2-1/2	LER 38
2-1/2	SAF 515 FSAF 515	22215K	SNW15 x 2-1/2	H315 x 2-1/2	LER 38
		22216K	SNW16 x 2-3/4	H316 x 2-3/4	LER 45
2-3/4	SAF 516 FSAF 516	22216K	SNW16 x 2-3/4	H316 x 2-3/4	LER 45
		22217K	SNW17 x 3	H317 x 3	LER 54
3	SAF 517 FSAF 517	22217K	SNW17 x 3	H317 x 3	LER 54
		22218K	SNW18 x 3-1/4	H318 x 3-1/4	LER 70
3-1/4	SAF 518 FSAF 518	22218K	SNW18 x 3-1/4	H318 x 3-1/4	LER 70
		22220K	SNW20 x 3-1/2	H320 x 3-1/2	LER 103
3-1/2	SAF 520 FSAF 520	22220K	SNW20 x 3-1/2	H320 x 3-1/2	LER 103
		22222K	SNW22 x 4	H322 x 4	LER 110
4	SAF 522	22222K	SNW22 x 4	H322 x 4	LER 110
4-1/4	SAF 524	22224K	SNW24 x 4-1/4	H3124 x 4-1/4	LER 114
4-1/2	SAF 526	22226K	SNW26 x 4-1/2	H3126 x 4-1/2	LER 118
5	SAF 528	22228K	SNW28 x 5	H3128 x 5	LER 123
5-1/4	SAF 530	22230K	SNW30 x 5-1/4	H3130 x 5-1/4	LER 126
5-1/2	SAF 532	22232K	SNW32 x 5-1/2	H3132 x 5-1/2	LER 131
6	SAF 534	22234K	SNW34 x 6	H3134 x 6	LER 141
6-1/2	SAF 536	22236K	SNW36 x 6-1/2	H3136 x 6-1/2	LER 149
7	SAF 538	22238K	SNW38 x 7	H3138 x 7	LER 156
8	SAF 544	22244K	SNW44 x 8	H3144 x 8	LER 168

Note: * Ductile and Steel housings are also stock.

SAF 600 Series

Shaft Size	Housing Part No.	Bearing Part No.	Adapter		Seal Part No.
			SNW Type Part No.	H Type Part No.	
1-1/2	SAF 609	22309K	SNW109 x 1-1/2	H2309 x 1-1/2	LER 18
1-3/4	SAF 610	22310K	SNW110 x 1-3/4	H2310 x 1-3/4	LER 21
2	SAF 611 FSAF 611	22311K	SNW111 x 2	H2311 x 2	LER 25
		22313K	SNW113 x 2-1/4	H2313 x 2-1/4	LER 33
2-1/4	SAF 613 FSAF 613	22313K	SNW113 x 2-1/4	H2313 x 2-1/4	LER 33
		22315K	SNW115 x 2-1/2	H2315 x 2-1/2	LER 38
2-1/2	SAF 615 FSAF 615	22315K	SNW115 x 2-1/2	H2315 x 2-1/2	LER 38
		22316K	SNW116 x 2-3/4	H2316 x 2-3/4	LER 45
2-3/4	SAF 616 FSAF 616	22316K	SNW116 x 2-3/4	H2316 x 2-3/4	LER 45
		22317K	SNW117 x 3	H2317 x 3	LER 185
3	SAF 617 FSAF 617	22317K	SNW117 x 3	H2317 x 3	LER 185
3-1/4	SAF 618	22318K	SNW118 x 3-1/4	H2318 x 3-1/4	LER 189
3-1/2	SAF 620	22320K	SNW120 x 3-1/2	H2320 x 3-1/2	LER 103
4	SAF 622	22322K	SNW122 x 4	H2322 x 4	LER 110
4-1/4	SAF 624	22324K	SNW124 x 4-1/4	H2324 x 4-1/4	LER 114
4-1/2	SAF 626	22326K	SNW126 x 4-1/2	H2326 x 4-1/2	LER 118
5	SAF 628	22328K	SNW128 x 5	H2328 x 5	LER 123
5-1/4	SAF 630	22330K	SNW130 x 5-1/4	H2330 x 5-1/4	LER 126
6	SAF 634	22334K	SNW134 x 6	H2334 x 6	LER 141
6-1/2	SAF 636	22336K	SNW136 x 6-1/2	H2336 x 6-1/2	LER 149
7	SAF 638	22338K	SNW138 x 7	H2338 x 7	LER 156